

OPERATION MANUAL



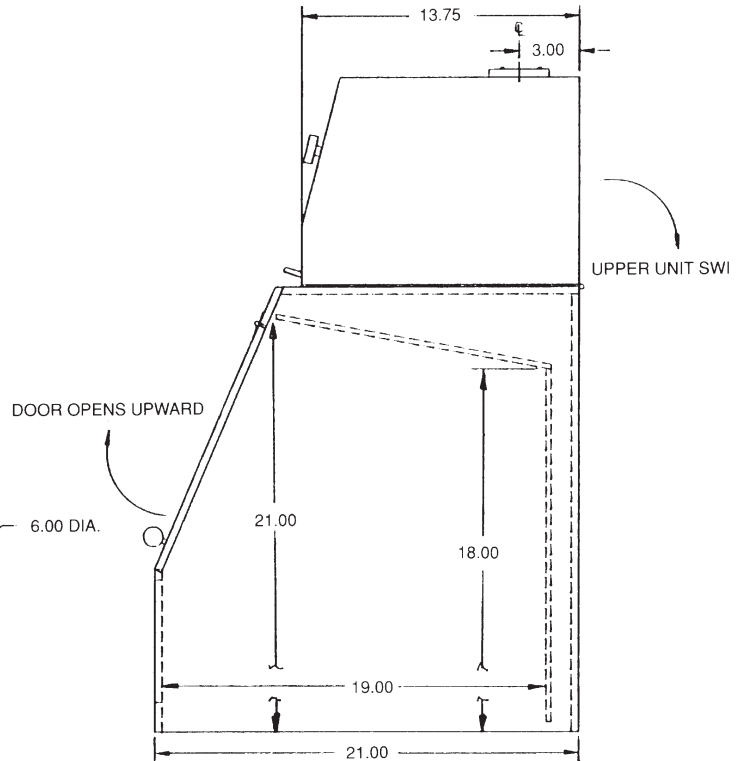
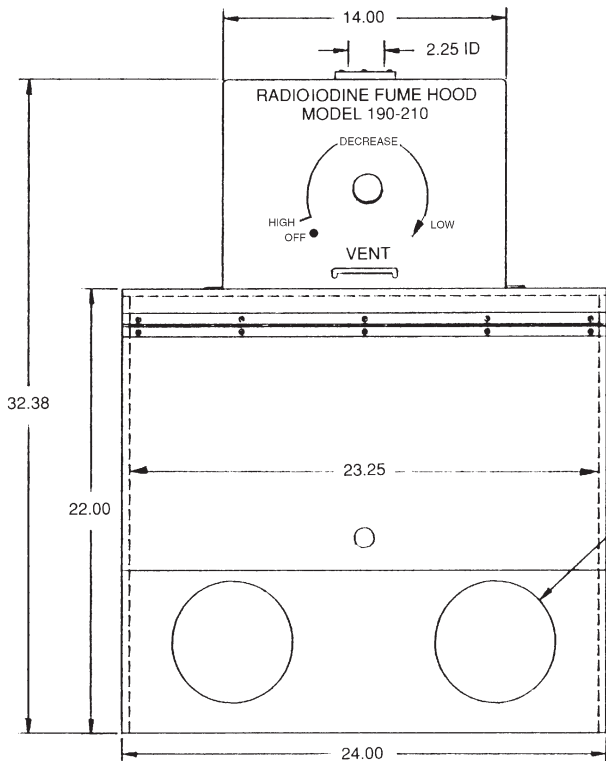
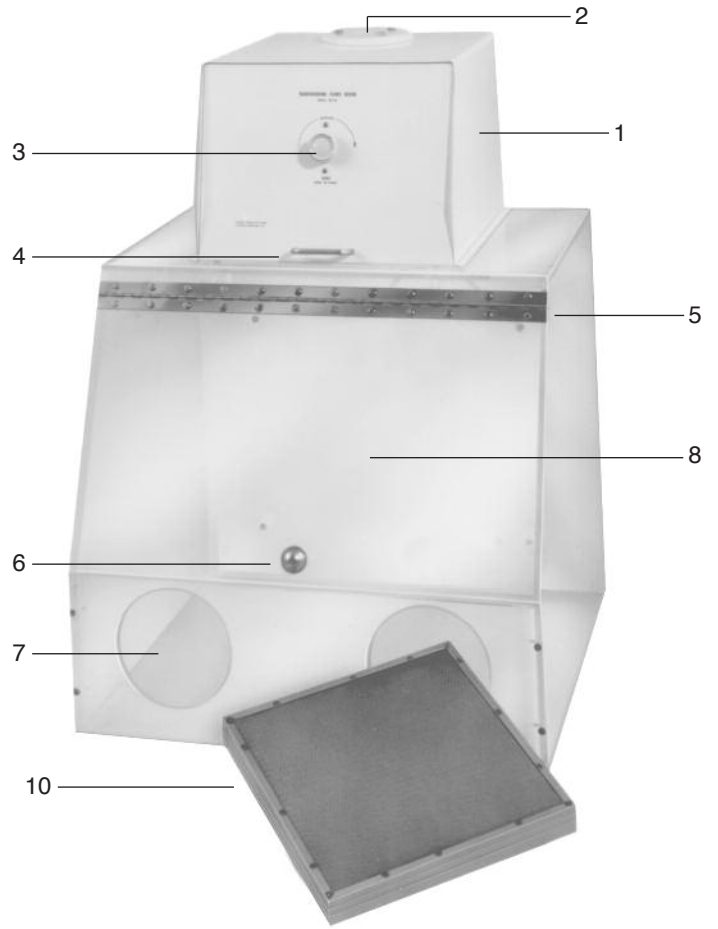
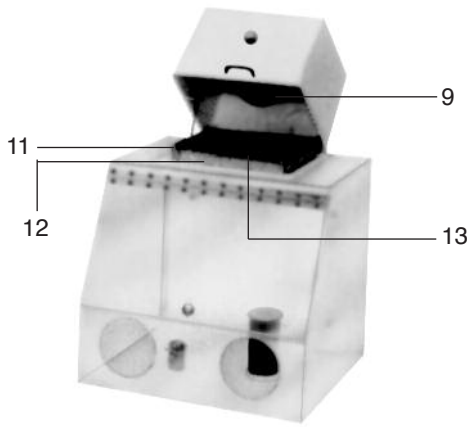
Iodination Fume Hood (#190-210)

BIODEX

Biodex Medical Systems, Inc.

20 Ramsay Road, Shirley, New York, 11967-4704, Tel: 800-224-6339 (In NY and Int'l, call 631-924-9000), Fax: 631-924-9241, Email: sales@biodex.com, www.biodex.com

1. Metal Box Assembly Containing Motor and Filter
2. Exhaust Port
3. Air Flow Control
4. Handle to Raise Motor Housing
5. Air Baffle
6. Knob to Open Fume Hood
7. Hand Port
8. Door to Fume Hood
9. Motor
10. Top of Hood
11. Gasket
12. Flange
13. Filter



RADIOIODINE FUME HOOD
190-210

IODINATION FUME HOOD

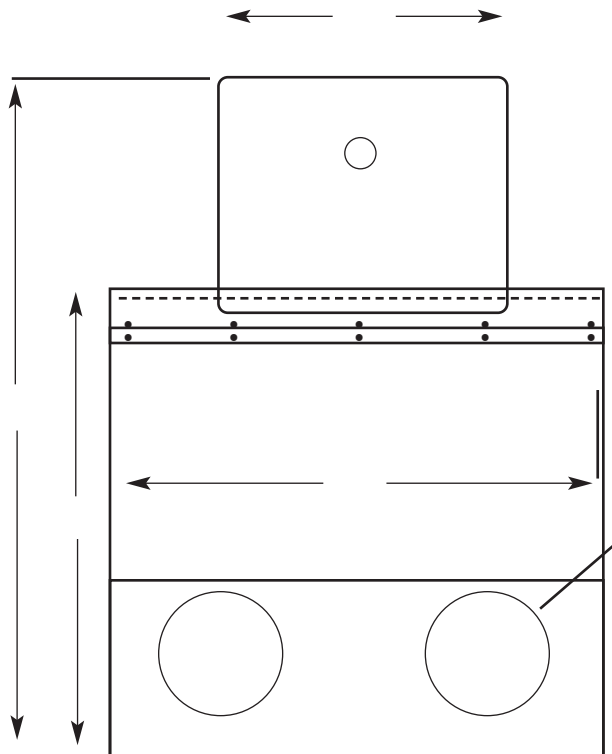
Set Up Procedures:

Save all packaging until installation is complete.

1. Remove packing from unit.
2. Securely place fume hood on work surface.
3. Inspect hood for cracks in plexiglass. If there is any damage to hood, report it to Biodex Medical Systems immediately. (Save all packing if unit is damaged.)
4. Remove knob from door to hood and reverse its position so the handle is on the outside.
5. The white metal cabinet on the top of the unit is the motor assembly. Open motor assembly by lifting up on handle on front of motor assembly.
6. Remove the filter model #112-036 from the plastic bag it is shipped and stored in. Place it snugly into the filter holder on front of motor assembly.

NOTE: Two filters can be used by setting one on top of the other.

7. Close motor assembly.
8. If desired, the elbow supplied with unit can be fitted on top of the motor assembly and a hose to an outside vent can be connected.
9. Plug into 110 volt or appropriate receptacle.
10. Turn power switch on and adjust the airflow control. If the motor does not run, check the fuses. If there is a problem, call Biodex Medical Systems Service Department.



Instructions for Use:

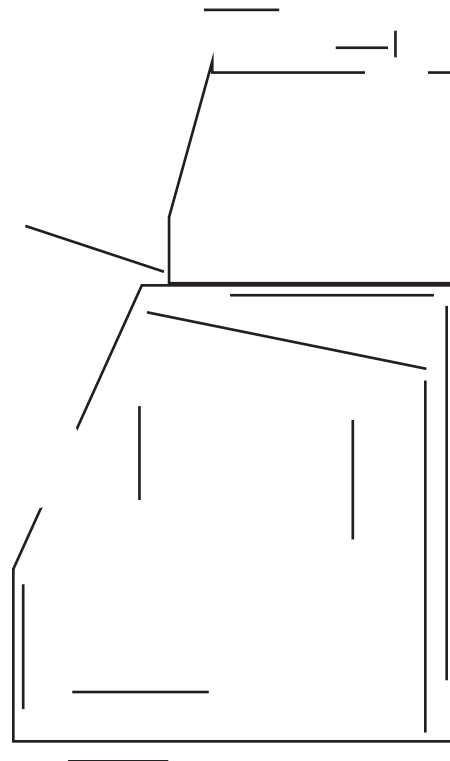
1. Turn the hood on.
2. Open the door on the front of the fume hood and place your containers and vials inside of hood.
3. Close the door.
4. To work with the hood, place your gloved hands into the hood through the hand ports on the front of the unit.

Maintenance:

1. When performing charcoal filter surveys, observe the fan motor. If dusty or dirty, clean with a dry cloth.
2. To ensure that the system is operating properly, a determination of linear flow at the arm ports, using an anemometer, should be taken quarterly. Compare this value to the baseline determination obtained at installation. If flow decreases 20% or more below the baseline values, change the filter(s).
3. Ensure that all the nuts and bolts are tight on the motor housing and hood.

Method to Survey and Change the Filter in a Two-Filter System

1. Disconnect exhaust pipe connector from fume hood.
2. Lift filter housing lid.
3. Put on disposable gloves.
4. Remove top filter. Survey with low level survey meter and pancake probe. Record mr/hr or CPM.
5. Set filter on absorbent pad used in standard laboratory fume hood.
6. Remove bottom filter and survey with low level survey meter. Record mr/hr or CPM



7. Calculate the ratio of the radiation level on the top filter to the radiation level of the bottom filter and express it as a percentage.

NOTE: When the radiation level is greater than or equal to 10% of the bottom filter radiation level, the bottom filter should be discarded into RAM waste storage (make sure you seal the charcoal filter in a plastic bag before discarding into RAM waste).

8. Replace old top charcoal filter in unit. This filter now becomes the bottom filter.
9. Place new (unused) filter into the top position. Close the baffle housing lid and reconnect unit to fume hood.

NOTE: The charcoal filters in this device are surveyed weekly. However the bottom filter is replaced as necessary only when the top filter indicates that the bottom filter allows greater than 10% of the I-131 to pass through it.

BIODEX

Biodex Medical Systems, Inc.

20 Ramsay Road, Shirley, New York, 11967-4704, Tel: 800-224-6339 (In NY and Int'l, call 631-924-9000), Fax: 631-924-9241, Email: sales@biodex.com, www.biodex.com