

SIDE RAILS

(for Ultrasound and Echocardiography Tables)

INSTALLATION MANUAL

058-633



BIODEX

Biodex Medical Systems, Inc.

20 Ramsey Road, Shirley, New York, 11967-4704, Tel: 800-224-6339 (Int'l 631-924-9000), Fax: 631-924-9241, Email: info@biodex.com, www.biodex.com

Side Rails

This document covers the installation of the Side Rails for the following tables:

058-700	058-720
058-701	058-725
058-702	058-726
058-705	058-727
058-706	058-732
058-707	058-733

Additional information and resources are available upon request or directly from the Biodex website; <http://www.biodex.com>.

If the desired information is not found, please feel free to contact a local distributor or Biodex directly at supportservices@biodex.com.

Thank you,

Biodex Medical Systems, Inc.



Contact information



Manufactured by:

Biodex Medical Systems, Inc.
20 Ramsey Road, Shirley, New York, 11967-4704
Tel: 800-224-6339 (Int'l 631-924-9000)
Fax: 631-924-8355
email: supportservices@biodex.com
www.biodex.com

1. Introduction

Side rails can be installed on both sides of the table. Each rail pivots individually to assume either the raised or lowered position. Both a left side rail and a right side rail are supplied. They must be installed on the correct side of the table.

Installation Instructions

(see Figure 1.1.)

1. Using a 7/16" wrench, remove the four ¼-20" hex head screws from beneath the abdominal cushion (toward the front of the cushion) on the side of the table to which the side rail will be installed.
2. Using a 7/16" wrench, remove the two ¼-20" hex head screws holding the strap bracket. Remove the strap bracket and reinstall the two screws into the abdominal cushion.
3. Position the side rail support bracket against the bottom of the cushion ensuring the four pre-drilled screw holes in the bracket align with the screw holes under the seat cushion. The side rail should face up with the short end of the rail closest to the foot-end cushion.
4. Using a 7/16" wrench, install the four screws removed in Step 1 through the side rail support bracket. Tighten securely.
5. Press the small piece of white vinyl-edge trim bumper on the lower frame edge approximately 11" from the foot end of the frame.

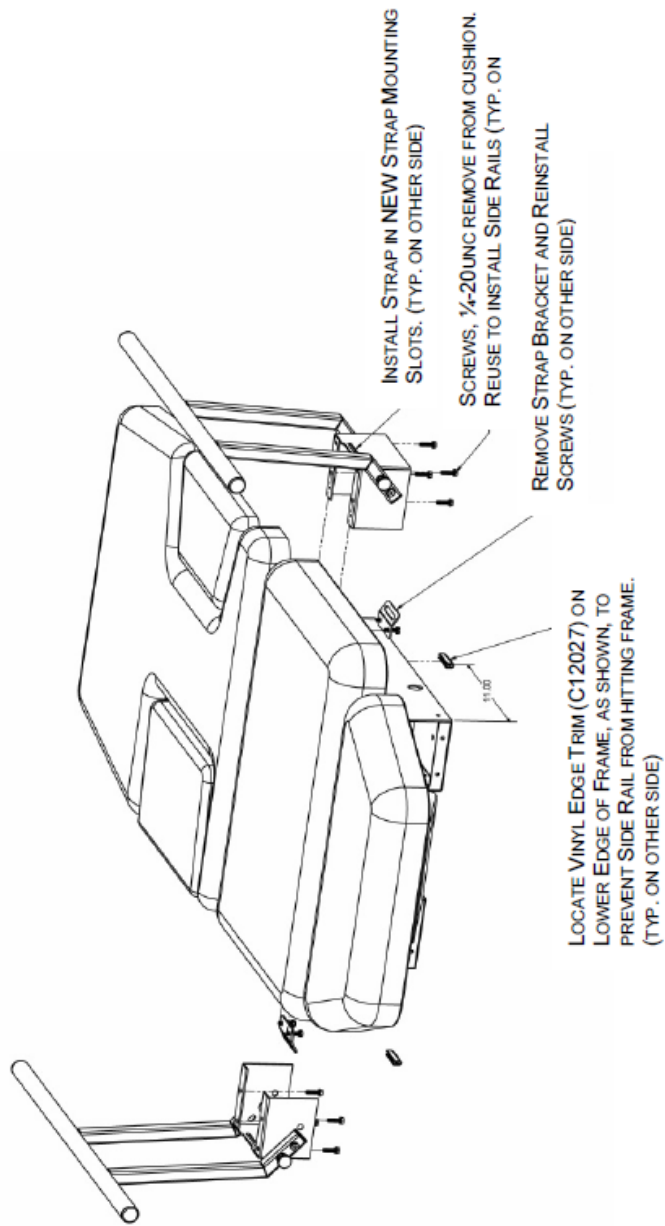


Figure 1.1. Side Rail Assembly Drawing.

BIODEX

Biodex Medical Systems, Inc.

20 Ramsay Road, Shirley, New York, 11967-4704, Tel: 800-224-6339 (Int'l 631-924-9000), Fax: 631-924-9241, Email: info@biodex.com, www.biodex.com