

L-BLOCK SHIELDS

OPERATION MANUAL

042-419

042-428

042-449



BIODEX

Biomedex Medical Systems, Inc.

20 Ramsey Road, Shirley, New York, 11967-4704

Tel: 800-224-6339 (Int'l 631-924-9000).

Fax: 631-924-9241 Email: info@biomedex.com, www.biomedex.com

L-BLOCK SHIELDS

This manual contains assembly and operation procedures for the following:

- 042-428 L-Block Shield, 1.5" lead, with 8" x 4" x 4" lead glass window
- 042-419 L-Block Shield, 1.5" lead, with 8" x 8" x 4" lead glass window
- 042-449 L-Block Shield, 2" lead, with 8" x 8" x 4" lead glass window

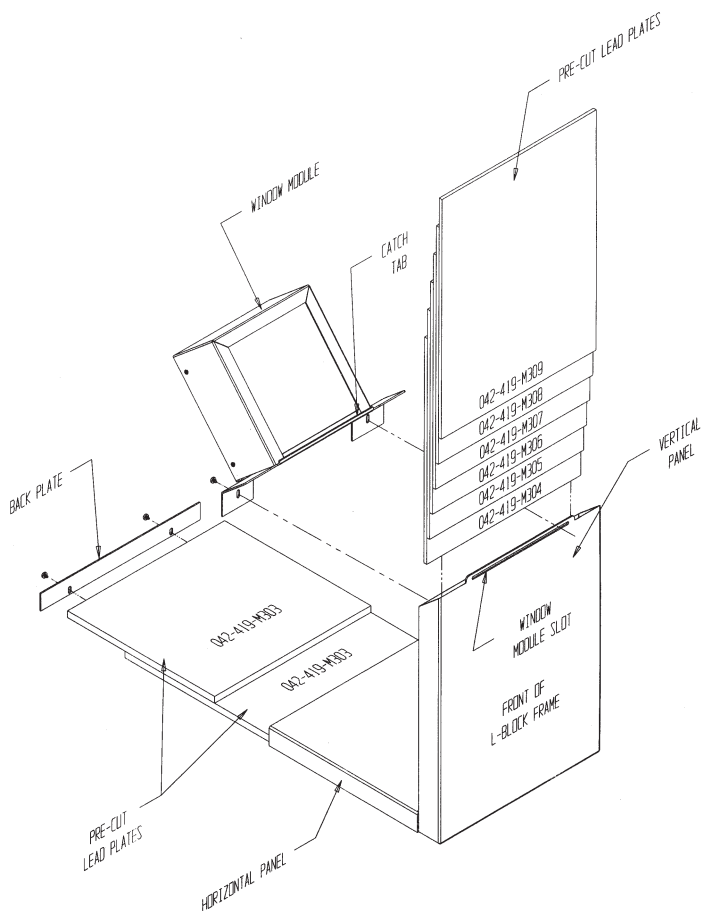


Figure 1: L-Block Shield assembly

INTRODUCTION

Designed for receiving and preparing unit doses of high-energy radionuclides, these L-Blocks provide a choice of 1.5" or 2" thick lead shielding in front, and 1" thick lead in the base. The L-Block may be ordered with either an 8" x 4" x 4" or 8" x 8" x 4" lead glass window. A special plate with a hex-shaped recess is mounted on the base to facilitate one-handed loading and unloading of dose pigs incorporating hex-shaped bottoms. An optional Lead Brick Cave may be added to provide lateral shielding around the full perimeter of the L-Block's base.

ASSEMBLY INSTRUCTIONS

(Refer to Figure 1.)

Tools Required:

- Phillips screwdriver
- Work gloves

The L-Block Shields are shipped in modular form for easy installation without lifting equipment. No component weighs more than 50 pounds. Eight numbered lead plates are supplied. These must be inserted into the L-Block frame as explained in the following section.



CAUTION: *Wear gloves when handling lead plates. Wash hands after handling lead plates.*



ATTENTION: *Porter des gants au mainement d'assiete de plomb. Laver les mains après au mainement d'assiete de plomb.*

1. Place the L-Block Shield in the desired location so the front of the L-Block frame faces forward.
2. Standing in front of the L-Block frame, lift and slide in pre-cut lead plate #309 into the vertical panel. Ensure the plate sits flat against the front of the vertical panel by tilting the L-Block frame slightly forward.
3. Standing behind the L-Block frame, insert one pre-cut lead plate labeled #M303 over the lip and fully into rear of the horizontal panel.

NOTE: *If you cannot stand behind the L-Block frame, rotate the frame 90 degrees to access the rear of horizontal panel.*

4. Insert the second pre-cut lead plate labeled #M303 over the lip and fully into the rear of the horizontal panel.

5. Attach and secure the back plate to cover the rear access area using two Phillips screws provided.
6. Rotate the L-Block frame to the position in which it will be used.
7. Standing in front of the L-Block frame, lift and slide pre-cut lead plate #308 into the vertical panel. Ensure this plate is flush against lead plate #309 which has already been inserted.
8. Insert lead plates #307, then #306, #305 and #304 into the vertical panel. Ensure these plates are flush against the lead plates already inserted.
9. Lift the window module and tilt the glass frame up so that you can insert the catch tab into the window module slot at the top inside of the L-Block shield. Once the catch tab is inserted into the window module slot, allow the window module to rest against the inside of the L-Block Shield.
10. Align the window module screw slots with the screw holes on the inside of the L-Block Shield frame and secure with two Phillips screws supplied.

SPECIFICATIONS

042-428 L-Block Shield (8" x 4" x 4" window)

Dimensions: 14" w x 15" d x 21.6" h (36 x 38 x 55 cm)

Lead Shielding:

Front: 1.5" (3.8 cm) thick

Base: 1" (2.5 cm) thick

Lead Glass Window:

Dimensions: 8" w x 4" h x 4" thick (20 x 10 x 10 cm)

Density: 5.2 g/cm³

Finish: Powder coat

Weight: 270 lb (122 kg)

Shipping Weight: 330 lb (149.6 kg)

042-419 L-Block Shield (8" x 8" x 4" window)

Dimensions: 14" w x 15" d x 24.7" h (36 x 38 x 62 cm)

Lead Shielding:

Front: 1.5" (3.8 cm) thick

Base: 1" (2.5 cm) thick

Lead Glass Window:

Dimensions: 8" w x 8" h x 4" thick (20 x 20 x 10 cm)

Density: 5.2 g/cm³

Finish: Powder coat

Weight: 290 lb (131 kg)

Shipping Weight: 355 lb (161 kg)

042-449 2" L-Block Shield

Dimensions: 14" w x 18" depth x 24.7" h (36 x 46 x 62 cm)

Lead Shielding:

Front: 2" thick (5.08 cm)

Base: 1" thick (2.5 cm)

Lead Glass Window:

Dimensions: 8" w x 8" h x 4" thick (20 x 20 x 10 cm)

Density: 5.2g/cm³

Finish: Powder Coat

Weight: 345 lb (156 kg)

Shipping Weight: 420 lb (191 kg)

NOTE: *The following Biodex pigs incorporate hex-shaped bottoms for one-handed loading and unloading using the special plate supplied with these L-Block Shields: 001-784, 001-785, 001-788, 001-789, 001-706, 001-860*

Authorized European Community Representative:

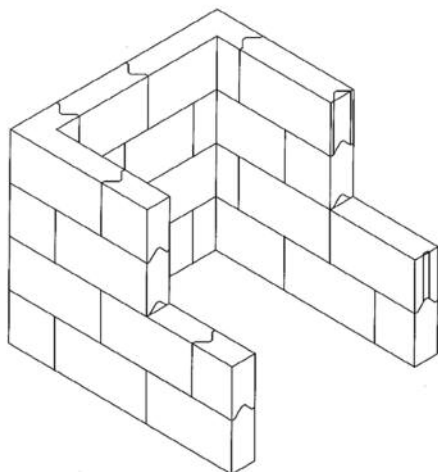
PROTHIA

26, rue serpollet

75020 Paris, France

(011)33.1.40.31.60.20

Interlocking Lead Brick Caves



**DURABLE
PAINT
FINISH**

For added protection, Lead Brick Caves are the perfect accompaniment to Table Top Shields. Below is the Cave assembly model that fits each of the Table Top Shields featured in this manual.

Caves fit neatly in the sides of the vertical section to provide lateral shielding around the perimeter of the L-Block's base. For hot labs in mobile vans, the optional Brick Cave Cover will prevent the cave from shifting when the vehicle is in motion

042-426 Lead Brick Cave, 3-wall, 2" lead
*Fits 042-428, 042-449 and 042-419 L-Block Shields
Accommodates 042-466 PET Dose Drawing System*

For more information, contact Biodex directly or visit us on the web.

www.biodex.com/shielding

BIODEX



Certified Quality Management System

BIODEX

Biodex Medical Systems, Inc.

20 Ramsey Road, Shirley, New York, 11967-4704

Tel: 800-224-6339 (Int'l 631-924-9000).

Fax: 631-924-9241 Email: info@biodex.com, www.biodex.com